

Axiohm

ELECTRON

58 mm Micro thermal printer mechanism

**Make the best choice
for the best performance**



CLAMSHELL™



58 mm



• An extremely easy integration with a Clamshell™ design

ELECTRON has been engineered with customer integration constraints in mind. Indeed, its round shape can be integrated in a cylinder of 30 mm diameter. With this printer mechanism, you have an ultra-compact printing solution for portable devices. In addition, the famous Clamshell™ design makes paper-roll changing a snap. The overall dimensions of the printing function have been optimised thanks to the integration of the Clamshell™ and the positioning of the paper roll.

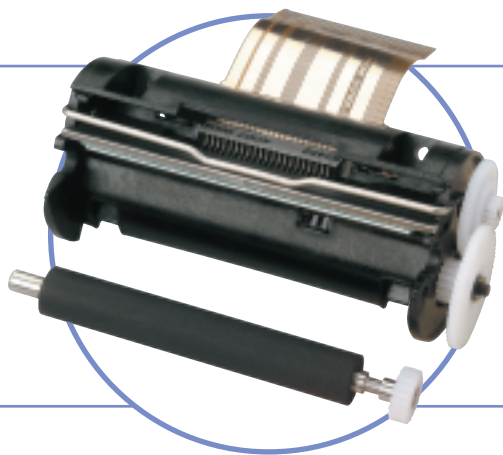
• High printing speed and extreme reliability for a cost-effective mechanism

High printing speed (up to 70 mm/sec.), top performance, a high level of reliability, and an optimised design added to an ultra-compact thermal printer mechanism, make ELECTRON one of the most powerful mechanisms dedicated to mobile applications on the market, where a cost-effective printing component is required.

• Low weight and low power voltage

ELECTRON, the 58 mm thermal printer mechanism, has a minimal weight, and is designed for handheld devices, such as EFT, Electronic Cash Register, mobile POS, route sales, measuring instruments and all other mobile applications. With a very low power voltage, under 3.3 to 5V, the ELECTRON thermal printer mechanism is the ideal solution for battery-powered devices.

Controller board and chipset available.

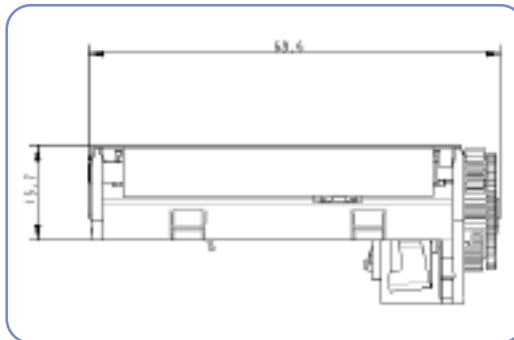
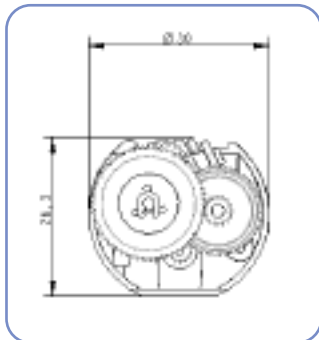


ELECTRON


58 mm Micro thermal printer mechanism

Characteristics	Unit	ELECTRON
Printing speed	mm/s	70
Printing width	mm	48
Resolution	dots/mm	8
Number of dots	dots	384
Paper width	mm	58
Paper thickness	µm	60
Paper loading	—	Clamshell™
Operating voltage range : logic	v	3.3 – 5
	dots	5 – 8
Head pulse life	pulse	10 millions
Mechanical reliability	km	50
Dimensions (W*D*H)	mm	68.6 x 26.3 x Ø30
Weight	g	32
Operating temperature	°C/°F	5 to 45/41 to 113
Options	—	Tear bar

Overall dimensions



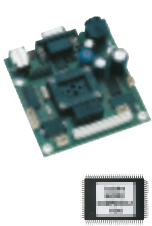
Other Axiohm's products



Thermal Printer
Axiohm's thermal printers are based upon the most advanced technology in thermal printing, delivering sharp, clear print with high speed, low noise and outstanding reliability. Our thermal printer line offers state-of-the-art capabilities, numerous interfaces, drivers and accessories and are Clamshell™ designed.



Turnkey Printing Solutions
Axiohm's kiosk printers are designed primarily for installation in public access terminals, but can be used in almost any transaction printing application that requires an easy-to-integrate 'plug & play' product.



Controller Boards
Axiohm offers an extensive range of controller boards with embedded firmware to manage its full line of thermal printer mechanisms. The controller boards' features have been designed to meet your needs in terms of functionality and competitiveness.

Distributed by:

www.axiohm.com

France (for EMEA & Asia/Pacific)
1, rue d'Arcueil - BP 820
92542 Montrouge
FRANCE
Tel: +33 1 58 07 17 17
Fax: +33 1 58 07 17 18
headquarters@axiohm.com

USA
455 Wards Corner Road
Suite 500 Loveland,
OH 45140 - USA
Tel: +1 (513) 248-9900
Fax: +1 (513) 248-8274
namsales@axiohm.com

